

183,626

FLYING TOY

Walter Frederick Morrison, La Puente, Calif.

Application July 22, 1957, Serial No. 47,035

Term of patent 7 years

(Cl. D34—15)

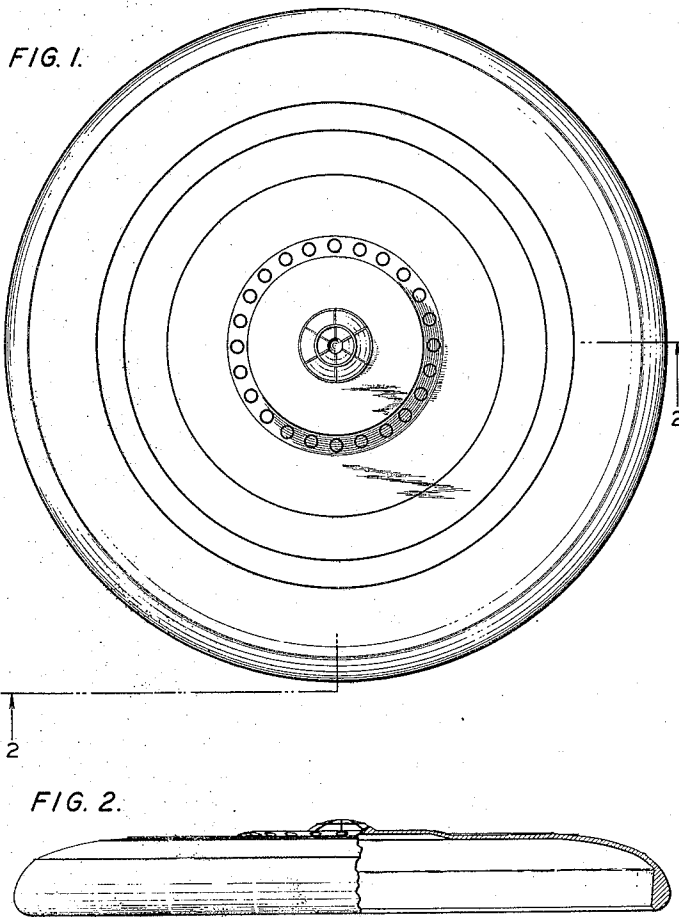


Fig. 1 is a top plan view of a flying toy, showing my new design;

Fig. 2 is a side elevational view thereof, partly in cross section taken on line 2—2 in Fig. 1.

I claim:

The ornamental design for a flying toy, as shown.

References Cited in the file of this patent

UNITED STATES PATENTS

D. 137,521	Davidson	Mar. 28, 1944
1,404,132	Manes	Jan. 17, 1922
2,690,339	Hall	Sept. 28, 1954

FOREIGN PATENTS

890,001	France	Oct. 25, 1943
---------	--------------	---------------